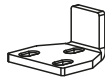




x2



x2



x1



St 4,2x25

x6



M5x6

x4

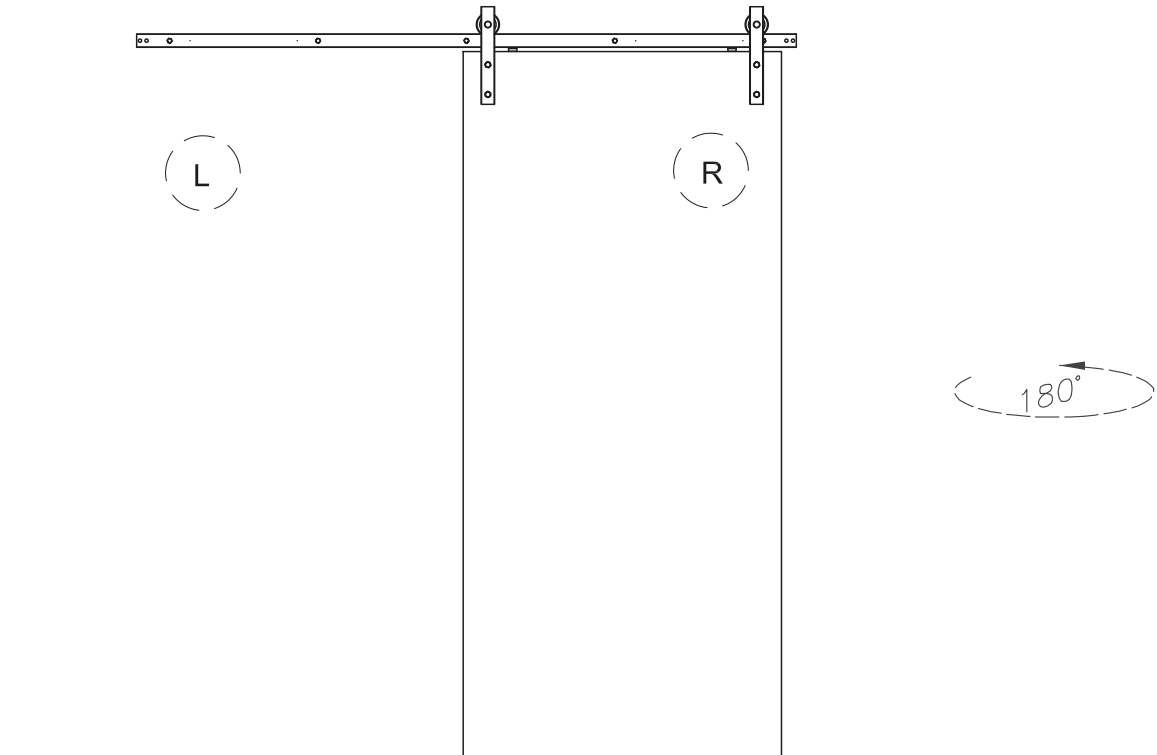


Ø5

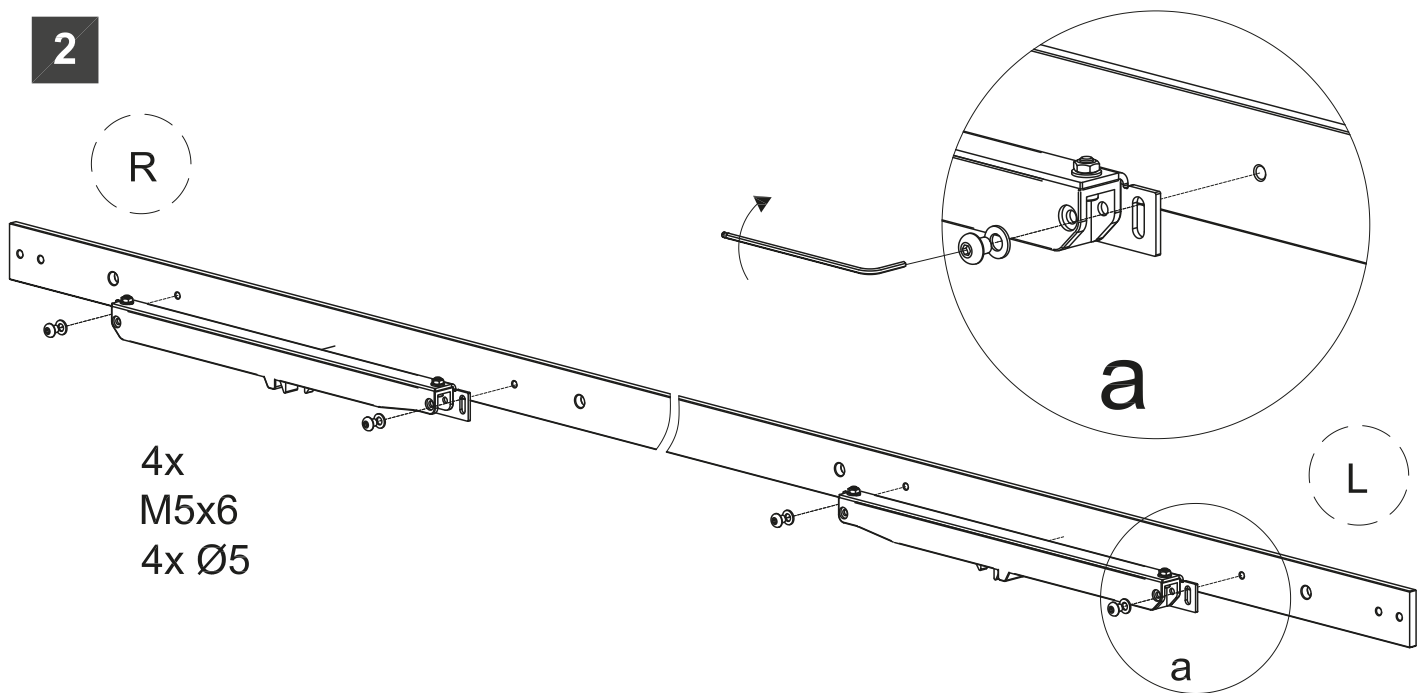
x4



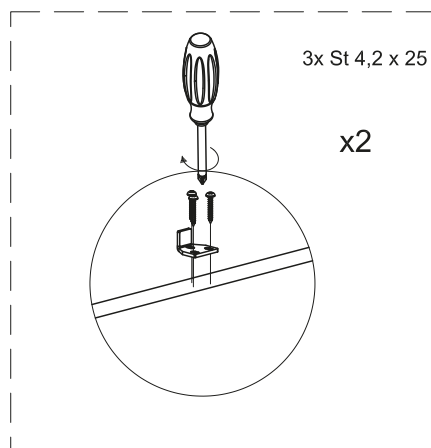
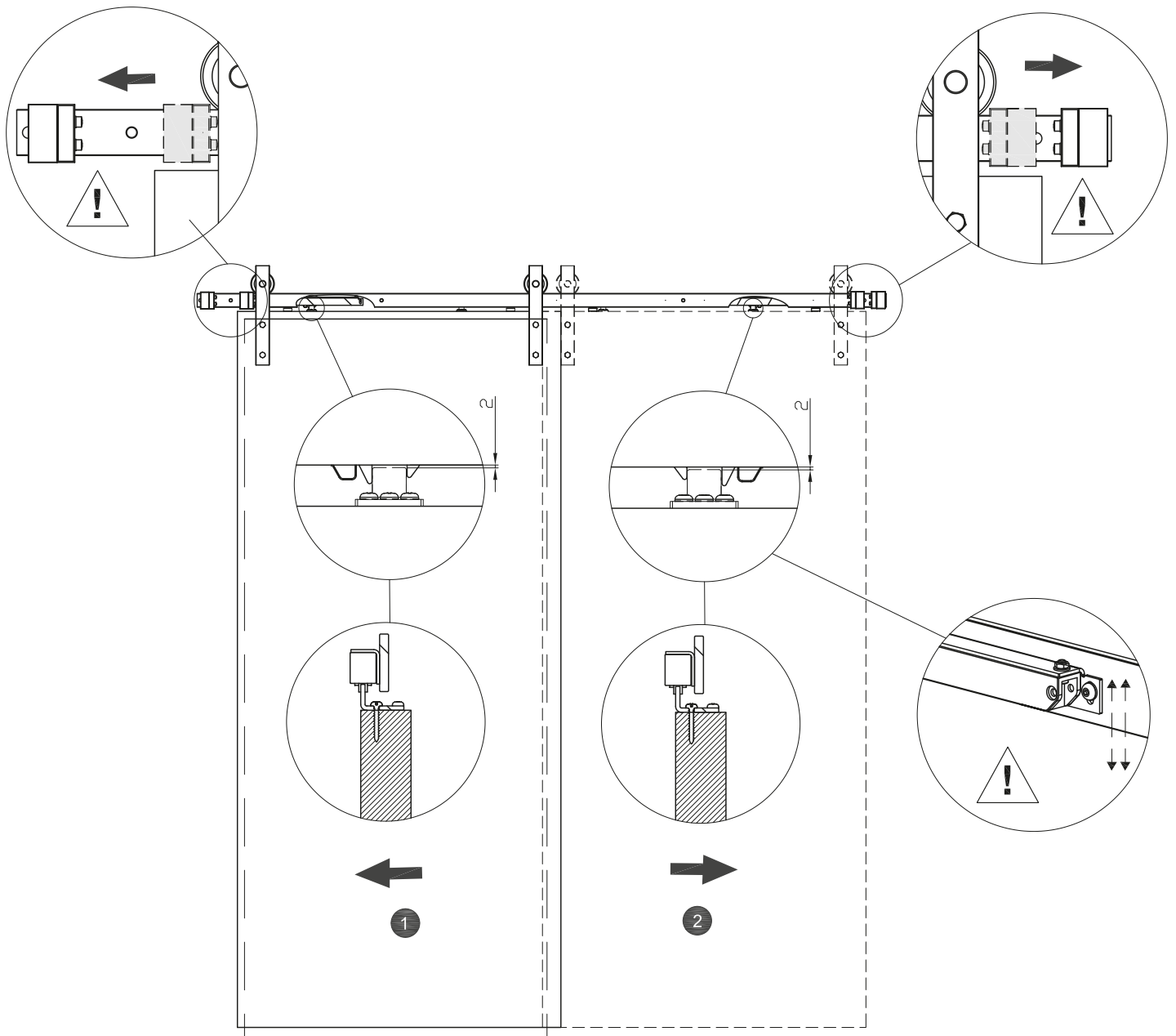
1



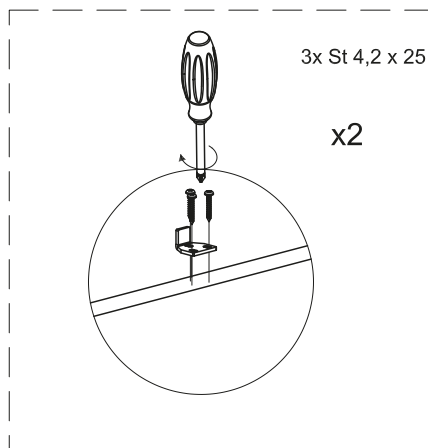
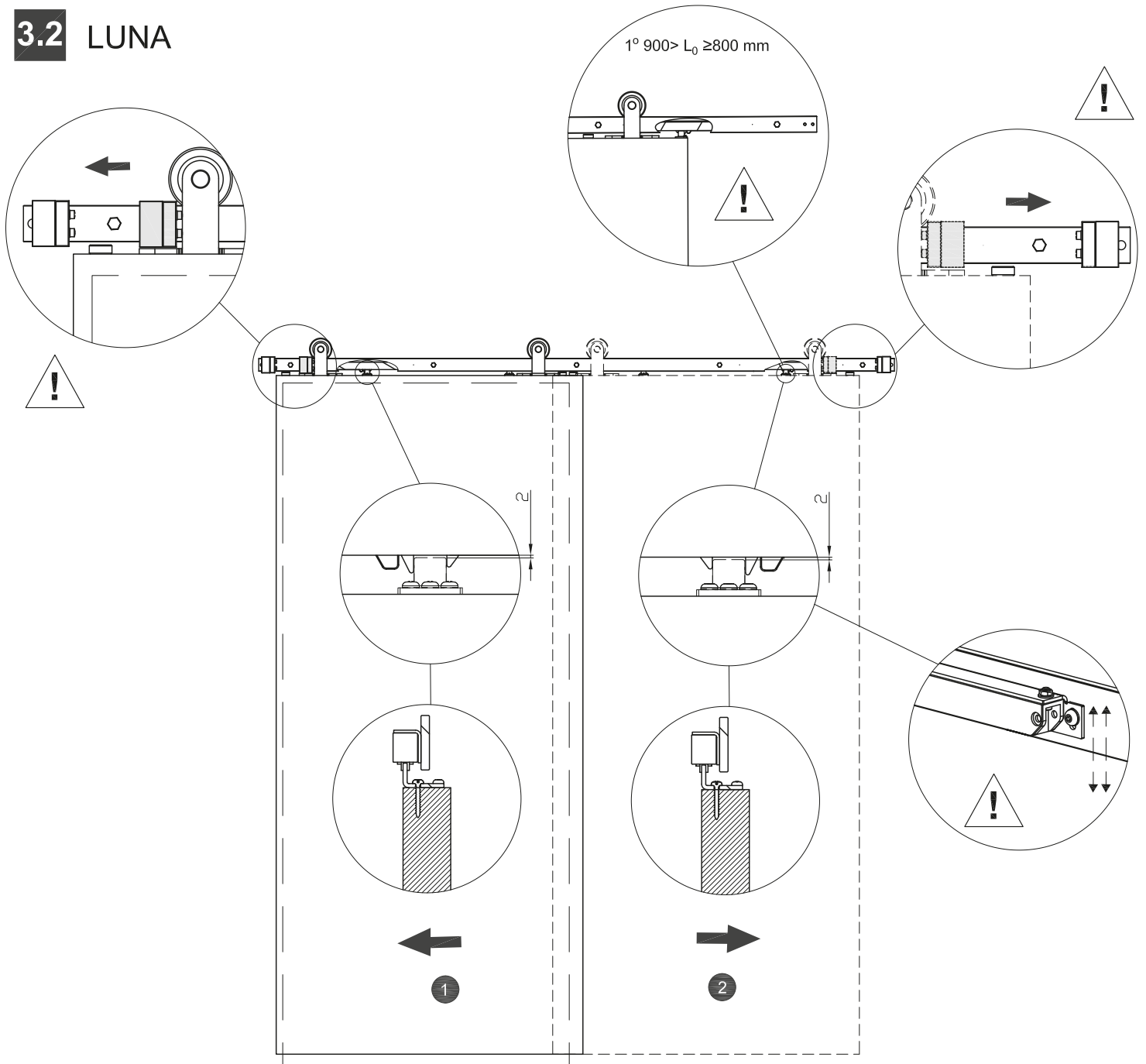
2



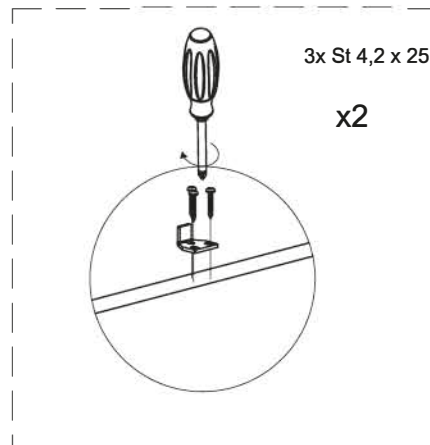
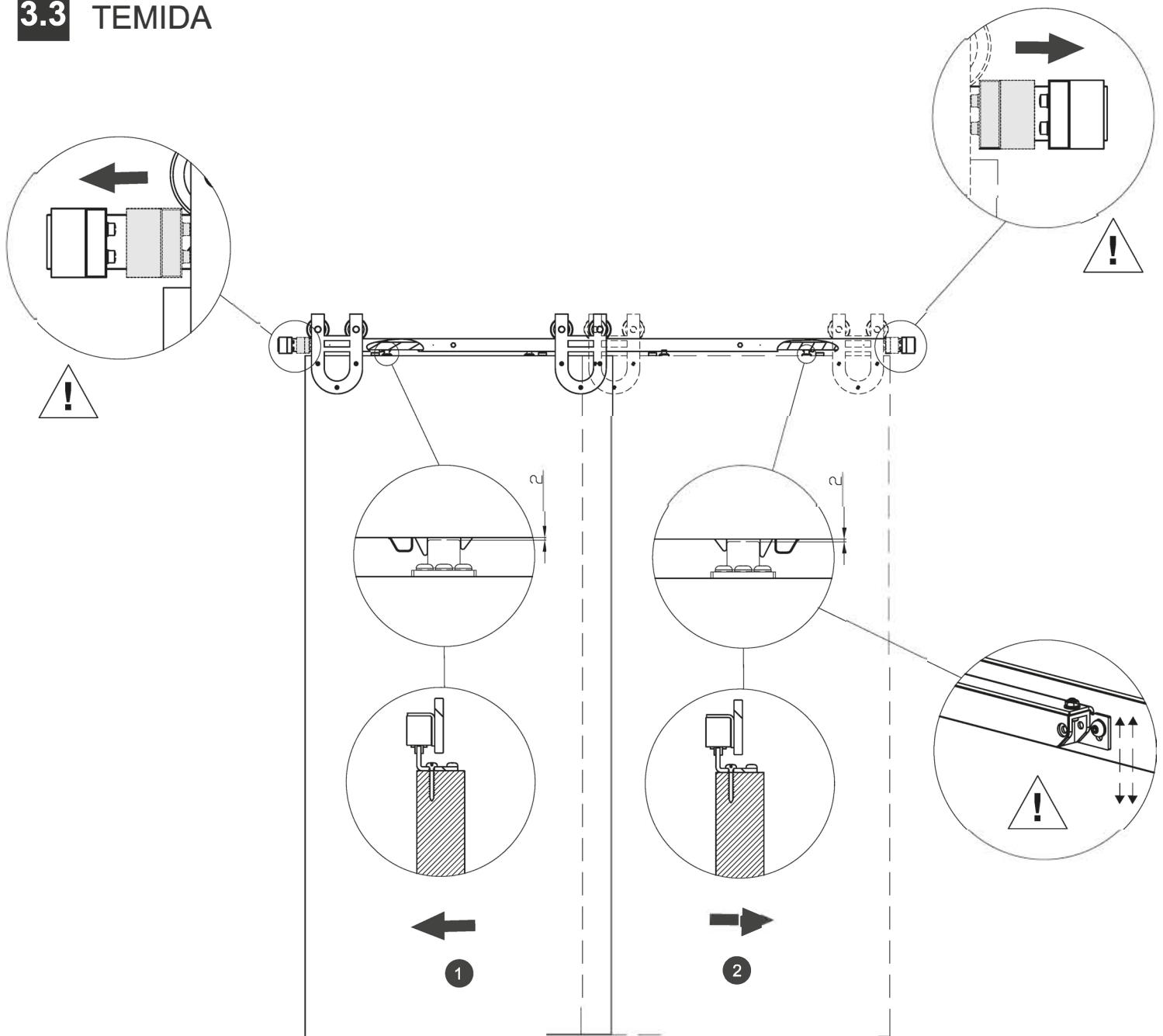
3.1 REA



3.2 LUNA



3.3 TEMIDA



3.4 IZYDA

